

## Features

- Universal Input 90~264VAC 50/60Hz
- Output Voltages: 9~12V DC
- Operating Temperature Range: 0~40°
- Safety Approvals: CE, TUV-GS, RoHS
- Low Ripple & Noise
- Protection: Overload/Over voltage/Short circuit
- Dimensions: 130 x 51.5 x 39 mm



Ideal Power's 59RKPO-UKxxxxxxxCD-4 42W AC/DC Lugged External Desktop Power Supply (PSU) Series are certified to CE, TUV-GS, RoHS & EN 62368-1/IEC 62368-1/UL 62368-1 Standards and comply with (EU) 2019/1782, Level VI Efficiency Regulations. These are primarily used in ITE, Audio & Video Industries and customised solutions are available upon request.

### Models

Model Number	Output Voltage	Output Current	Output Power	Efficiency
59RKPO-UK0903500CD-4	9V DC	3.5A	31.5W	87%
59RKPO-UK1203500CD-4	12 V DC	3.5A	42W	87.6%

### General Specification

Type	In Line Lugged Power Supply
Rated Voltage	100V AC to 240V AC
Variation Voltage	90V AC to 264V AC
Rated Frequency	50/60Hz
Variation Frequency	47-63Hz
Number of Outputs	1
Connection Type	Barrel Plug Centre Positive 2.1mm x 5.5mm
Input	BS plug +1.5 HO5RN-F 2x1.0mm <sup>2</sup>
Output	Waterproof Connector
Overload Protection	Yes
Over Current Protection	Auto recovery when over current faults remove.
Short Circuit Protection	When the output load short-circuit, the power supply will protect, troubleshooting can resume normal work.
Over Voltage Protection	Auto recovery when faults remove 120%~170%.

**Mechanical Specifications**

Housing Material	Sealed with epoxy for waterproofing
Overall Dimensions	130 x 51.5 x 39 mm
Overall Length	130mm
Overall Depth	51.5mm
Overall Width	39mm

**Input Specifications**

Input Current	0.3 Amps max At any input voltage and rated, DC output rated load.
Inrush Current	20 Amps Max. Cold start at 240Vac input, with rated load and 25 °C ambient.
Leakage Current	0.25mA Max. At 240Vac input.

**Output Specifications**

Ripple and Noise	300mV p-p with Max. Bandwidth of 20MHz and Parallel 47uF/0.1uF,
Line Regulation	+1%
Load Regulation	+5%
Rise time	40 mS Max. at 115Vac input and output Max load.
Hold Up time	5 mS Min. at 115Vac input and output Max. Load.
Turn on Delay Time	3 Second Max. at 115Vac input and output Max. load.
Efficiency	87% Min, At 115/230Vac input voltage, full load calculation

**Operational Environment**

Operating Temperature Range	0°C to 40°C, Full load, Normal operation.
Storage Temperature Range	10°C to 80°C
Relative Humidity	5%(0°C)~90%(40°C)RH, 72Hrs, Full load, Normal operating.

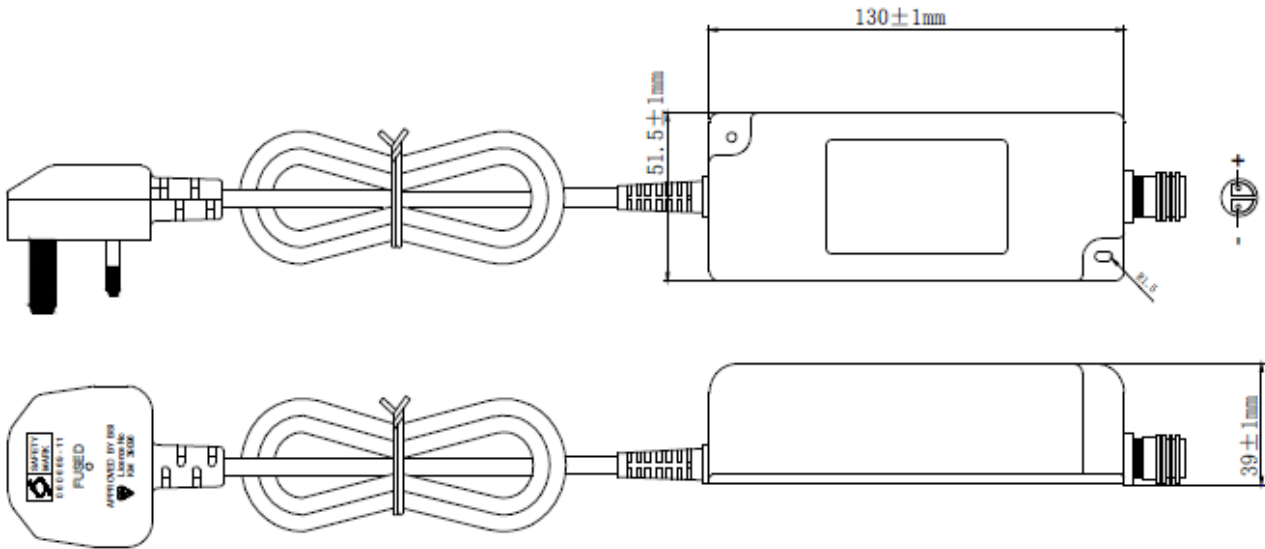
**Safety Requirements**

Dialectic Strength	Primary to secondary: 3000Vac 5mA/3S for type test.
Insulation resistance	Primary to secondary: 10MΩ min at 500V DC.

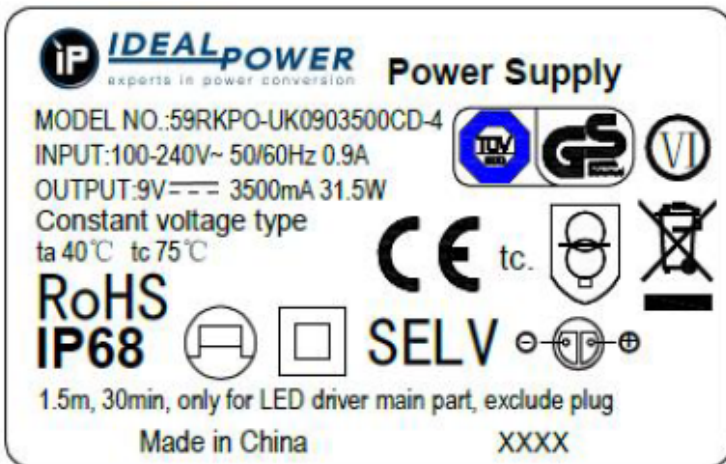
**Approvals**

Safety Standard	EN 61347-1:2015, EN 61347-2-13:2014+A1, EN 62493:2015
EMI Standard	FCC part 15, EN55015
EMC Emissions	EN55032(CISPR32), CNS13438 Class B, EN61000-3-2 Class A, EN61000-3-3, EN61000-4-2, 3, 4, 5, 6, 8, 11, EN55024, EN55035, EN61000-6-2, EN61204-3

Mechanical Drawing

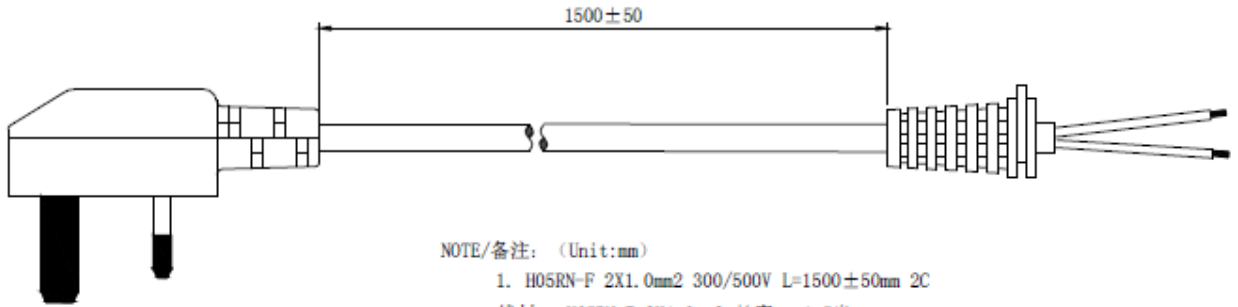


Label



AC – DC

**Cord Drawing**



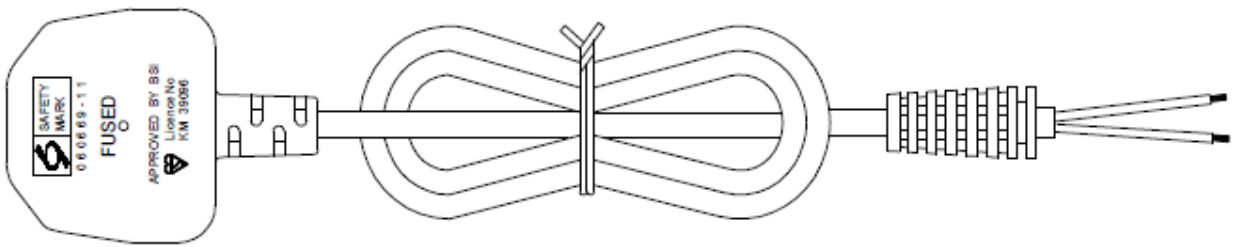
NOTE/备注: (Unit:mm)

1. H05RN-F 2X1.0mm<sup>2</sup> 300/500V L=1500±50mm 2C

线材: H05RN-F 2X1.0mm<sup>2</sup> 长度: 1.5米

2. BS Plug 3PIN Fuse:3A/250V~

插头: 英规插头 3PIN 保险丝 3A/250V



NOTE/备注: (Unit:mm)

1. SPT-1W 18AWG VW-1 105C° 300V L=2000±100mm 2C

线材: SPT-1W 18# 长度: 2米

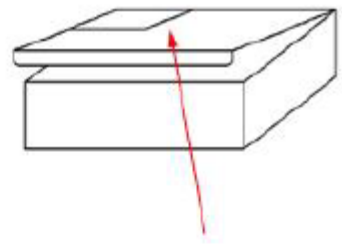
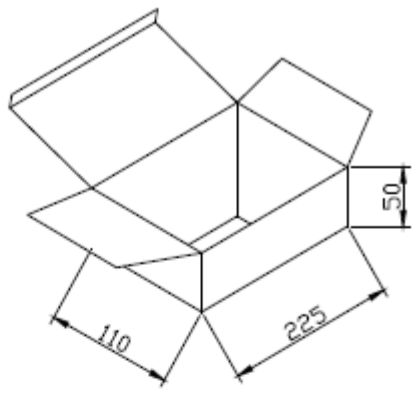
2. The polarity:inner-positive, outer-negative

极性: 内正外负

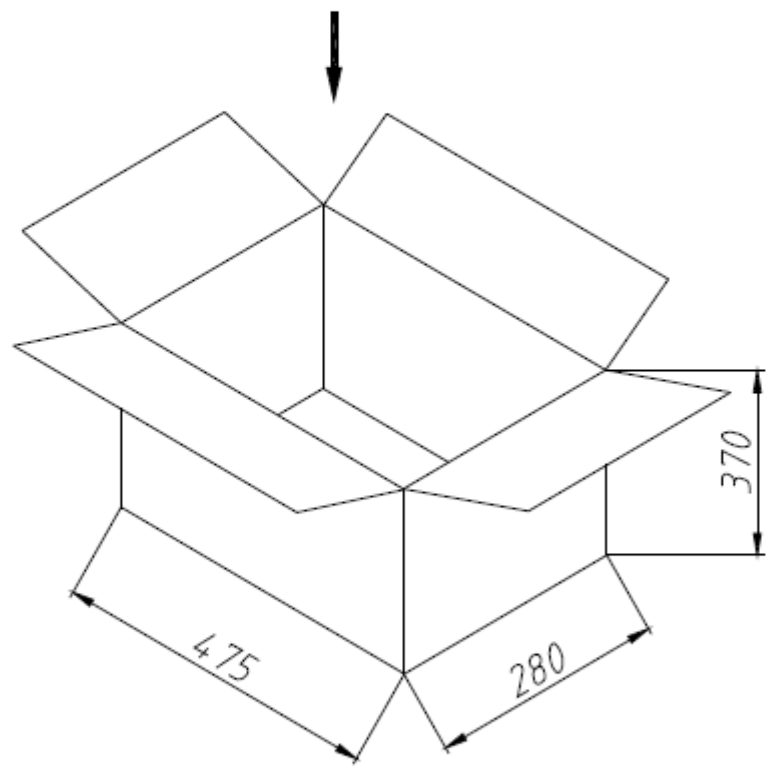
3. DC jack:5.5\*2.1\*10mm

Packaging

AC – DC



59RKPO-UK0903500CD-4



白盒尺寸/BOX SIZE:225\*110\*50mm  
材质/Material:350G  
纸箱尺寸/CARTON SIZE:475\*280\*370mm  
材质/Material:K=K  
30PCS白盒装一箱/ Inner box 30pcs/crton